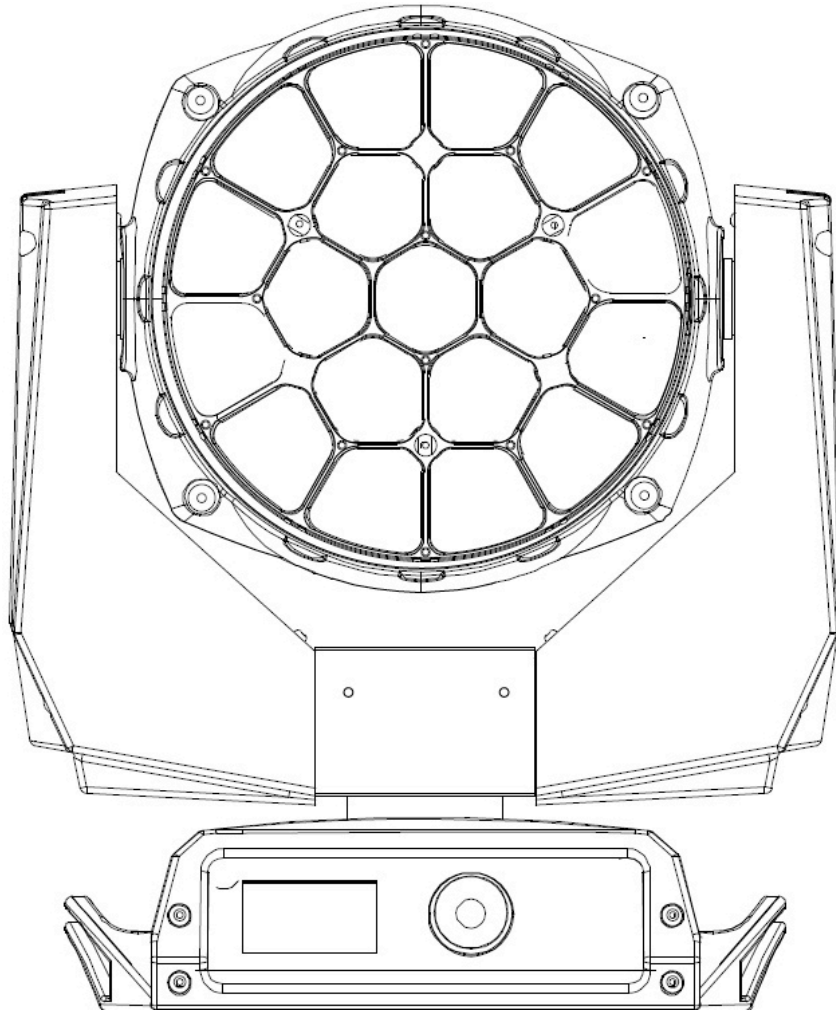


LiteLEES



BIG EYE *L10 WASH*

KEEP THIS USER MANUAL FOR FUTURE NEEDS



Thank you for your patronage!

We are confident that our excellent products and service can satisfy you.

For your own safety, please read this user manual carefully before installing the device.

In order to install, operate, and maintain the lighting safety correctly.

We suggest that the installation and operation should be done by the verified technician and follow the instruction strictly.



CAUTION!

Keep this device away from rain and moisture!



CAUTION!

Unplug mains lead before opening the housing!

Every person involved with the installation, operation and maintenance of this device has to:

-be qualified

-follow carefully the instructions of this manual

INTRODUCTION:

Thank you for having chosen this professional moving head.

You will see you have acquired a powerful and versatile device.

Unpack the device. Inside the carton box you should find:

1. One power in cable&power out connector
2. One 3Pin DMX cable
3. Two C omega clamps
4. One safety rope
5. One English user manual

(Flight case, Clamps are optional, please contact your dealer)

Please check carefully that there is no damage caused by transportation. Should there be any questions, please consult your dealer and don't install this device.

GENERAL GUIDELINES

This device is a lighting effect for a professional use on stages, TV, in discotheques, theaters, etc., The device was designed for indoor use only.

This fixture is only allowed to be operated with the max alternating current which stated in the technical specifications in 6th page of this manual.

Lighting effects are not designed for permanent operation. Consistent operation breaks may ensure that the device will serve you for a long time without defects.

Do not shake the device. Avoid brute force when installing or operating the device.

While choosing the installation-spot, please make sure that the device is not exposed to extreme heat, moisture or dust. Please don't project the beam onto combustible substances. The minimum distance between light-output from the projector and the illuminated surface must be more than 0,5 meter.

If you use the quick lock cam in hanging up the fixture, please make sure the quick lock fasteners turned in the quick lock holes correctly.

Operate the device only after having familiarized with its functions. Do not permit operation by persons not qualified for operating the device. Most damages are the result of unprofessional operation.

Please use the original packaging if the device is to be transported.

For safety reasons, please be aware that all modifications on the device are forbidden. If this device will be operated in any way different to the one described in this manual, the product may suffer damages and the guarantee becomes void. Furthermore, any other operation may lead to short-circuit, burns, electric shock, crash, etc.

SAFETY INSTRUCTIONS



CAUTION!

Be careful with your operations. With a dangerous voltage you can suffer a dangerous electric shock when touching wires!

This device has left the factory in perfect condition. In order to maintain this condition and to ensure a safe operation, it is absolutely necessary for the user to follow the safety instructions and warning notes written in this user manual.

1. In order to guarantee the product's life, please don't put it in the damp places or even the environment over 60degrees.
2. Always mount this unit in safe and stable matter.

The qualified professionals are allowed to carry out the lamp installation, operation and maintenance, but they must guarantee to operate in strict accordance with the instructions referred to.

▲ Important:

Damages caused by the disregard of this user manual are not subject to warranty. The dealer will not accept liability for any resulting defects or problems.

If the device has been exposed to temperature changes due to environmental changes, do not switch it on immediately. The arising condensation could damage the device. Leave the device switched off until it has reached room temperatures.

This device falls under protection-class $\text{\textcircled{II}}$. Therefore it is essential that the device be earthed.

The electric connection must carry out by qualified person.

Make sure the power cord is never crimped or damaged by sharp edges. If this would be the case, replacement of the cable must be done by an authorized dealer.

Always disconnect from the mains, when the device is not in use or before cleaning it. Only handle the power cord by the plug. Never pull out the plug by tugging the power cord.

During initial start-up some smoke or smell may arise. This is a normal process and does not necessarily mean that the device is defective, it should decrease gradually.

Please don't project the beam onto combustible substances.

If the external flexible cable or cord of this luminaire is damaged, it shall be exclusively replaced by the manufacturer or his service agent or a similar qualified person in order to avoid a hazard.



CAUTION!

Never touch the device during operation!
The housing may heat up!



CAUTION!

Never look directly into the light source,
As sensitive persons may suffer an epileptic shock.

Please be aware that damages caused by manual modifications to be the device are not subject to warranty. Keep away from children and non-professionals.

CLEANING AND MAINTENANCE

1. To reduce the risk of electrical shock or fire, do not expose this unit to rain or moisture.
2. Do not spill water or other liquids into or on to your unit.
3. During long periods of non-use, disconnect the unit's main power.
4. It should be installed in a well-ventilated place, at a distance of 50 centimeters or more with the walls. At the same time, please check if the fan and ventilation holes are unobstructed.

The following points have to be considered during the inspection

- 1) All screws for installing the devices or parts of the device have to be tightly connected and must not be corroded.
- 2) There must not be any deformations on the housing. Fixations and installations spots(ceiling, suspension, trussing).
- 3) Mechanically moved parts must not show any traces of wearing and must not rotate with unbalances.
- 4) The electric power supply cables must not show any damage, material fatigue or sediments. Further instructions depending on the installation spot and usage have to be adhered by a skilled installer and any safety problems have to be removed.



CAUTION!

Disconnect from mains before starting maintenance operation!

In order to make the lights in good condition and extend the life time, we suggest a regular cleaning to the lights.

- 1) Clean the inside and outside lens each week to avoid the weakness of the lights due to accumulation of dust.
- 2) Clean the fan each week.
- 3) A detailed electric check by approved electrical engineer each three month, make sure that the circuit contacts are in good condition, prevent the poor contact of circuit from overheating.

We recommend a frequent cleaning of the device. Please use a moist, lint-free cloth.

Never use alcohol or solvents.

TECHNICAL PARAMETERS

POWER SUPPLY

Voltage:110-240V 50/60 Hz

LIGHT SOURCE

19x15w RGBW 4in1 Osram Ostar Leds

Dedicated channel for color temperature setting: 2500K-8000K adjustable

Average life: 50,000 h

OPTICS

Special Pods: 5cm x19pcs, convey the light output of each led to the quadrangle lens, internal light dissipation is decreased, color mixing and the light output are enhanced

19pcs in total with 4 different shapes:

1 sexangle,6 pentagons 6 quadrangles and 6 opposite quadrangles.

Zoom angle:4-60°

0-100% linear electronic dimmer

Adjustable speed stop/strobe effect, with instantaneous blackout

Dedicated channel for color temperature setting

EFFECTS SECTION

Uniform wash: no dark spot in the middle benefit from its perfect optic and Invisible front grid.

Mid-air parallel beam, when the beam is zoomed down to 4°,the wash light turns into a “beam” fixture.

Built-in effects: LEDs group can be controlled individually

CONTROL AND PROGRAMMING

Display: LCD display with 5 operating buttons

Pan/Tilt Resolution: 16 bit

DMX signal connection: 3pin and 5pin in&out

Power connection: Powercon in&out

Cooling:High efficiency die-cast aluminium, forced ventilation

MOVING BODY

5 stepper motors, 3 for zooming, and 2 for XY,

operating with microsteps, totally microprocessor controlle

Movement by means of 3 phase stepper motors, controlled by microprocessor.

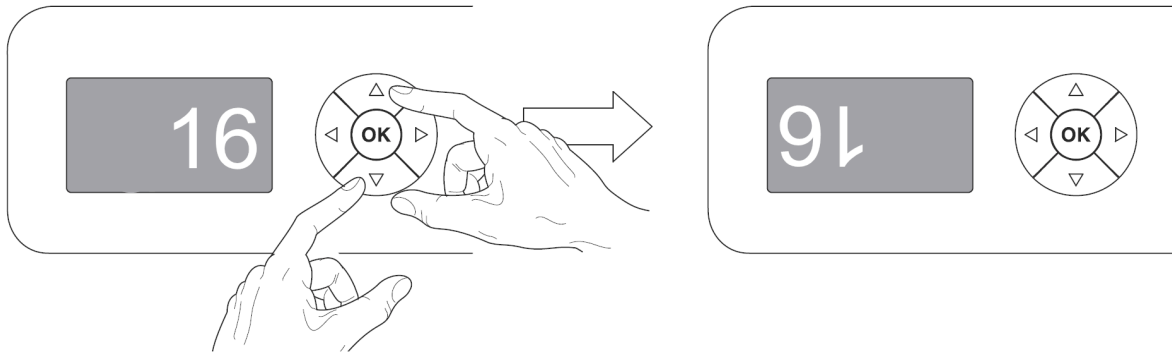
Automatic re-position of pan and tilt after accidental movement not controlled by control unit.

Travel: PAN = 540° ,TILT = 210°

WEIGHT

15KG

FUNCTIONS OF BUTTONS



Reversal of the display

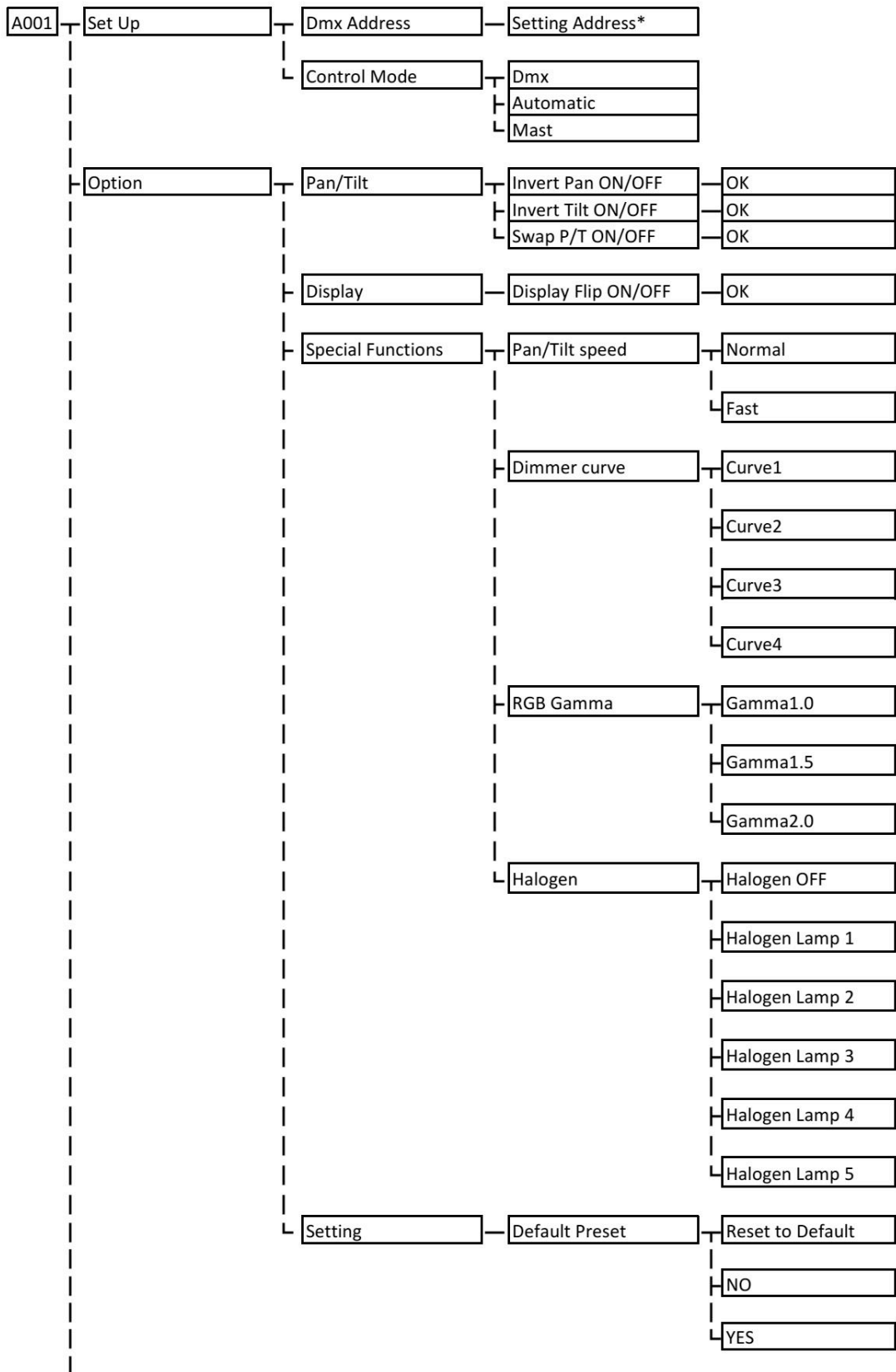
To activate this function, press UP and DOWN keys simultaneously while the display is in the rest mode. This status will be memorised and maintained even for the next time it will be switched on. To return to the initial state, repeat the operation all over again.

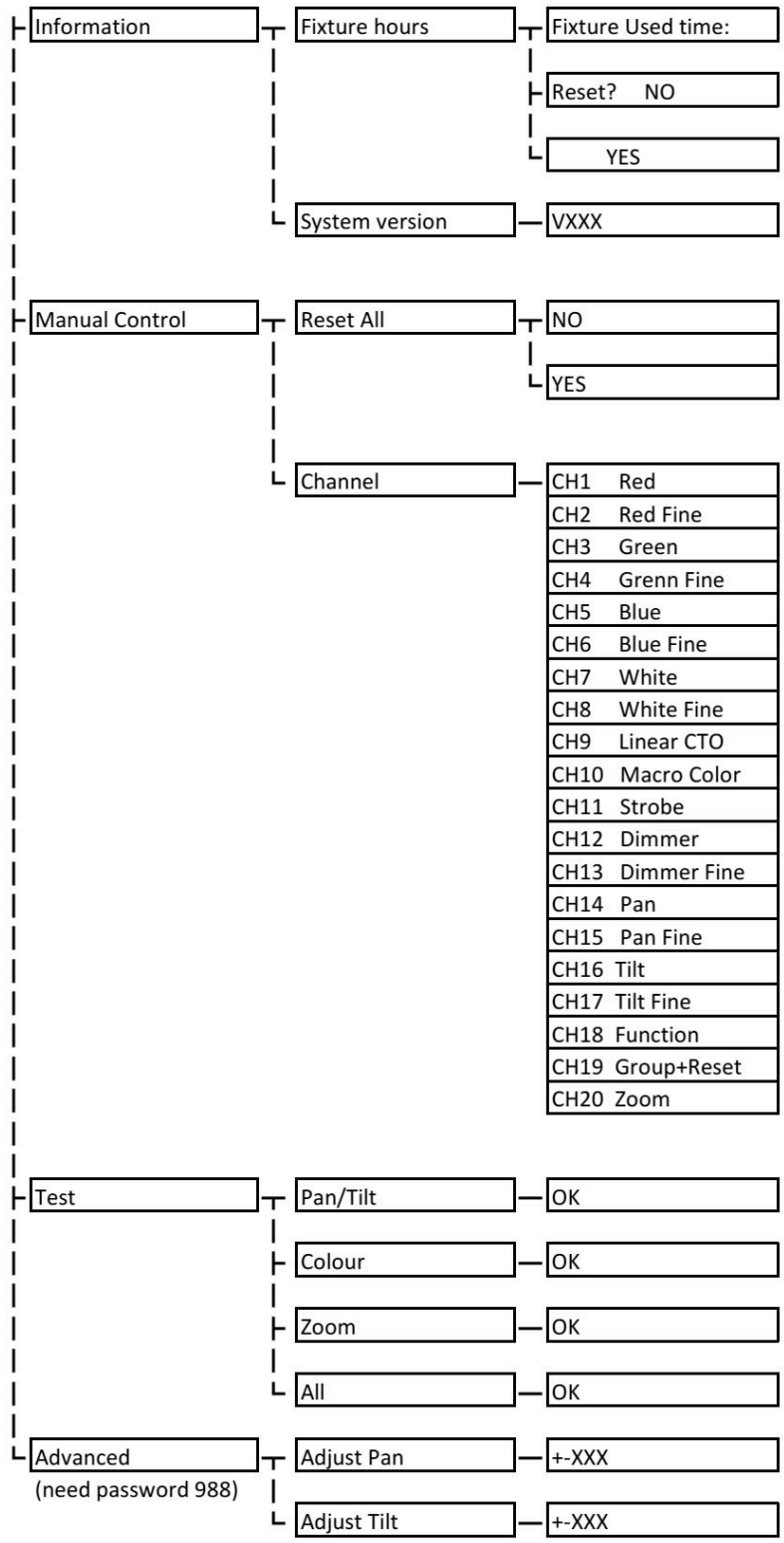
	Confirms the displayed value, or activates the displayed function, or enters the successive menu.
	Decreases the value displayed (with auto-repetitions) or passes to the next item in the menu.
	Increases the value displayed (with auto-repetitions) or passes to the previous item in a menu.
	Return to the top level.
	Commute from units, tens, hundreds, in the "Address", "Fixture ID" and "Calibration" menu.

USING THE MENU:

- 1) Press "OK" once – "Main Menu" appears on the display.
- 2) Use the UP and DOWN keys to select the menu to be used:
 - Setup (Setup Menu): To set the setting options.
 - Option (Option Menu): To set the operating options
 - Informations (Informations Menu): To read the counters, software version and other information.
 - Manual Control (Manual control Menu): To trigger the test and manual control functions.
 - Test (Test Menu): To check the proper functioning of effects
 - Advanced (Advanced Menu): Access to the "Advanced menu" is recommended for a trained technical personnel.
- "Advanced" password:988
- 3) Press "OK" to display the first item in the selected menu.
- 4) Use the UP and DOWN keys to select the MENU items.

MENU FUNCTION





DMX CHANNELS

CHANNEL	FUNCTION		
1	Red		
2	Red fine		
3	Green		
4	Green fine		
5	Blue		
6	Blue fine		
7	White		
8	White fine		
9	Linear CTO		
10	Marco Color		
11	Strobe		
12	Dimmer		
13	Dimmer fine		
14	Pan		
15	Pan Fine		
16	Tilt		
17	Tilt fine		
18	Function		
19	Group Control+Reset		
20	Zoom		
CHANNEL	FUNTION	DMX VALUE	FEATURE
1	Red	000-255	LED off -- LED on
2	Red Fine	000-255	Low to up
3	Green	000-255	LED off -- LED on
4	Green Fine	000-255	Low to up
5	Blue	000-255	LED off -- LED on
6	Blue Fine	000-255	Low to up
7	White	000-255	LED off -- LED on
8	White Fine	000-255	Low to up
9	Linear CTO	0-9	Unused range
		10	8000K
		54	7000K
		99	6000K
		117	5600K
		144	5000K
		188	4000K
		224	3200K
		255	2500K

Bit	COULOR	BIT VALUE			
		R	G	B	W
0-9	Macro color OFF	-	-	-	-
10	Red	255	0	0	0
11	Green	0	255	0	0
12	Blue	0	0	255	0
13	Cyan	0	255	245	0
14	Yellow	255	255	1	0
15	Magenta	255	0	255	0
16	White 7000K	175	227	59	255
17	White 3700K	255	201	25	255
18	White 5000K	251	137	0	229
19	Black	0	0	0	0
20-22	Medium Yellow	177	148	1	0
23-26	Straw Tint	197	149	10	0
27-28	Surprise Peach	201	119	8	0
29	Fire	241	42	1	0
30	Medium Amber	213	125	1	0
31	Gold Amber	214	90	1	0
32-34	Dark Amber	255	59	1	0
35-44	Sunrise Red	249	83	2	0
45	Light Pink	228	102	0	156
46-48	Medium Pink	255	79	0	130
49-61	Pink Carnation	232	95	0	130
62-67	Light Lavender	237	125	39	203
68-77	Lavender	220	117	146	199
78-88	Sky Blue	0	251	133	0
89-99	Just Blue	0	190	129	0
100-109	Dark Yellow Green	35	225	1	0
110-111	Spring Yellow	220	199	1	0
112	Light Amber	210	158	1	0
113	Straw	216	158	0	80
114	Deep Amber	243	172	1	0
115-116	Orange	255	131	1	0
117	Light Rose	251	152	28	0
118	English Rose	220	140	18	0
119	Light Salmon	240	141	27	0
120	Middle Rose	209	132	24	0
121-122	Dark Pink	225	107	27	0
123-124	Magenta	158	6	8	0
125	Peacock Blue	39	249	43	0
126	Med Blu green	185	255	48	0
127	Steel Blue	185	255	48	0

10

MACRO COLOR

		128	Light Blue	62	255	76	0	
		129-130	Dark Blue	0	194	253	0	
		131-133	Leaf Green	171	232	1	0	
		134-135	Dark Green	67	237	10	2	
		136-137	Mauve	227	41	56	0	
		138-141	Bright Pink	239	40	31	0	
		142-144	Medium Blue	0	239	135	0	
		145	Deep Golden Amber	255	48	1	0	
		146	Pale Lavender	225	196	54	0	
		147-148	Special Lavender	199	197	74	0	
		149-150	Primary Green	59	229	1	0	
		151-156	Bright Blue	0	243	79	0	
		157-161	Apricot	231	142	11	0	
		162-167	Pale Gold	255	189	24	0	
		168-171	Deep Orange	227	86	1	0	
		172-173	Bastard Amber	227	176	23	0	
		174	Flame Red	211	27	2	0	
		175-178	Daylight Blue	75	218	90	0	
		179	Lilac Tint	246	208	45	0	
		180-183	Deep Lavender	232	165	58	0	
		184-190	Dark Steel blue	158	247	89	0	
		191-206	Congo Blue	76	0	255	0	
		207	Alice Blue	128	255	143	0	
		208	Dirty White	255	255	122	255	
		209-255	White	255	235	66	255	
11	Strobe	000-003	Closed					
		004-103	Slow to fast strobe(0.5-25 flash/sec)					
		104-107	Open					
		108-207	Slow to fast pulsation(0.5-25 flash/sec)					
		208-212	Open					
		213-225	Random slow strobe					
		226-238	Random medium strobe					
		239-251	Random fast strobe					
		252-255	Open					
12	Dimmer	000-255	No light -- Full light					
13	Dimmer Fine	000-128	Low to up					
14	Pan	000-255	Pan movement by 540°					
15	Pan Fine	000-255	Fine control of Pan Movement					
16	Tilt	000-255	Tilt movement by 210°					
17	Tilt Fine	000-255	Fine control of Tilt Movement					
18	Function	0 -11	Function off - rearmed					
		12 - 24	Pan Tilt Fast (Default)	(All functions activate by staying 5 seconds)				
		24 - 37	Pan Tilt Normal					

		38 - 42	Dimmer Curve 1(Default)(See chart below)
		43 - 47	Dimmer Curve 2(See chart below)
		48 - 52	Dimmer Curve 3(See chart below)
		52 - 57	Dimmer Curve 4(See chart below)
		58 - 62	RGBW Gamma curve 1 - gamma = 1.0
		63 - 67	RGBW Gamma curve 2 - gamma = 1.5(Default)
		68 - 72	RGBW Gamma curve 3 - gamma = 2.0
		73 - 77	Halogen Lamp Simulation, OFF(Default)
		78 - 82	Halogen Lamp Simulation, type 1 (750W) Linear CTO@0 bit
		83 - 87	Halogen Lamp Simulation, type 2 (1000W) Linear CTO@0 bit
		88 - 92	Halogen Lamp Simulation, type 3 (1200W) Linear CTO@0 bit
		93 - 97	Halogen Lamp Simulation, type 4 (2000W) Linear CTO@0 bit
		98 - 102	Halogen Lamp Simulation, type 5 (2500W) Linear CTO@0 bit
		103-250	Reserved
		251-255	All default
19	Reset	0-3	Unused range
		4	Group 1
		5	Group 2
		6	Group 3
		7	Group 1+2
		8	Group 2+3
		9	Group 1+3
		10-12	Group 1+2 Dynamic
		13-15	Group 2+3 Dynamic
		16-18	Group 1+3 Dynamic
		19-21	Group 1+3 to 2 Dynamic
		22-25	Unused range
		26-76	Zoom Reset (Staying 5 seconds to activate)
		77-127	Pan/Tilt Reset(Staying 5 seconds to activate)
		128-255	Complete Reset(Staying 5 seconds to activate)
20	Zoom	000-255	Narrow beam to Wide beam

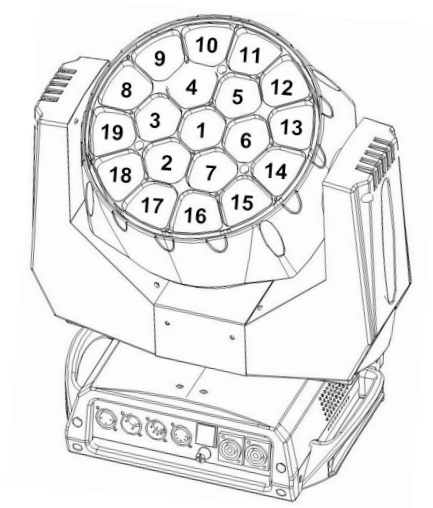
LiteLEES BIG-EYE L10 WASH

LED reference number for group control

Pixel 8-13: Group 1

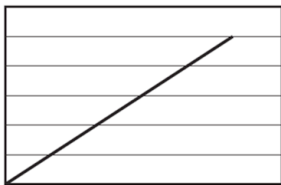
Pixel 1-7: Group 2

Pixel 14-19: Group 3

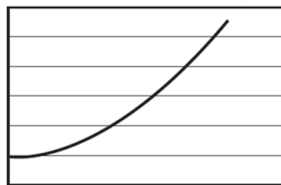


DIMMER CURVE CHART:

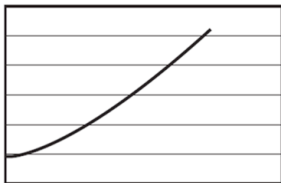
DIMMER CURVE 1 - GAMMA 1 LINEAR



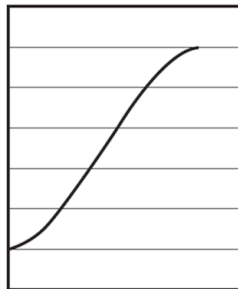
DIMMER CURVE 3 - GAMMA 2,0



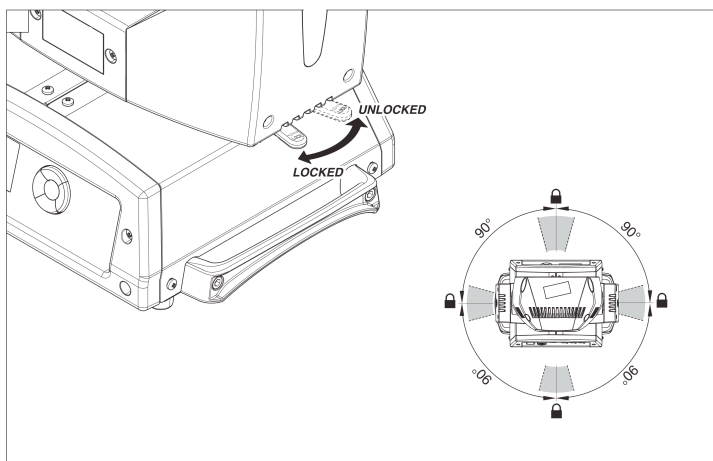
DIMMER CURVE 2 - GAMMA 1,5



DIMMER CURVE 4 - S



PACKING CONTENTS



REMARK

The product has perfect performance and integrity packing. All users should be strictly comply with the warning and operating instructions as stated. Or we aren't in charge of any result by misusing.

Any damage resulting by misuse is not within the Company's warranty.

Any fault or problem caused by neglecting the manual is also not in the charge of dealers.

Errors and omissions for every information given in this manual excepted.

All information is subject to change without prior notice.



Guangzhou LEES Electronics CO.,LTD

Add:The 2nd building,Huacheng Industrial,
JiuTang Western Road, Xinhua Town, Huadu
District,Guangzhou, Guangdong province,PRC
Tel: +86 20 61867288 **Email:** info@litelees.com